

## Valves / Ball Valves / Mini Ball Valves

**CONSTRUCTIVE PROPERTIES**

	STANDARD	OPTIONAL
Ball	Brass Chrome Plated	-
Handle	ZAMAK	-
Ball Seats	PTFE (Teflon)	-
Transmission Shaft	Brass Nickel Coated	-

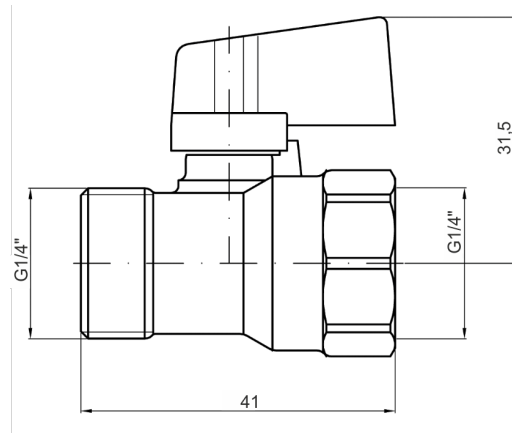
**USAGE PROPERTIES**

Conformity	TS EN 13828	-
Max.Water Temp.	110 °C	-
Max.Pressure	16 bar	-



**0943012200**  
Mini Ball Valves

www.Laheghi.com



Model No: 0943012200

www.Laheghi.com

**Ball Valves / General Purpose**

▶ Mini Ball Valves

**Usage Temperature**

-30°C + 80°C

**Usage**

F-M, with aluminum handle

**Areas of Usage**

Water, oil, inflammable gases, air and non-acidic liquids

**Nominal Pressure**

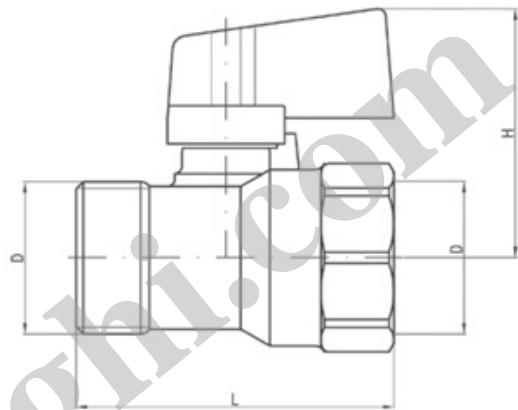
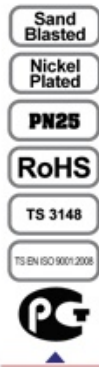
PN25

**Connection Sizes**

DIN ISO 228/1

**Optional**

NPT, BSPT



**Connection Sizes**

Code #		D	L	H	Kg
Red	Blue				
0943012100	0943012200	G 1/4"	41	31,5	0,082
0944012100	0944012200	G 3/8"	41	31,5	0,076
0945012100	0945012200	G 1/2"	43,5	32	0,086
0946012100	0946012200	G 3/4"	49,5	33	0,140